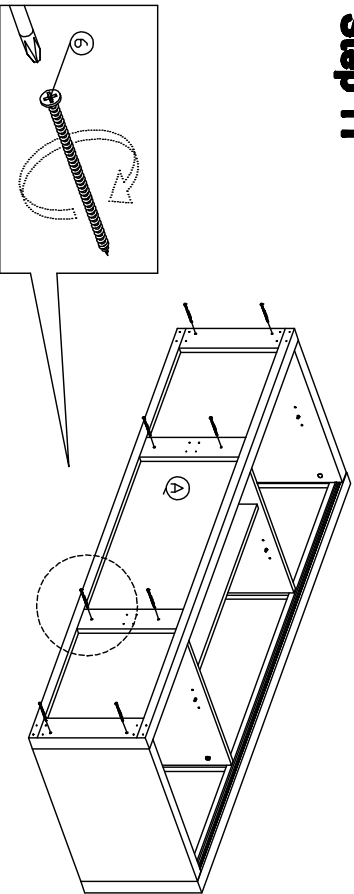
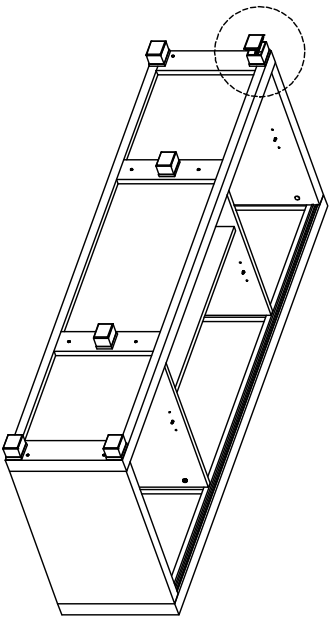
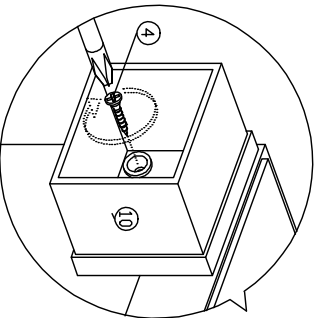


Assembly Instruction

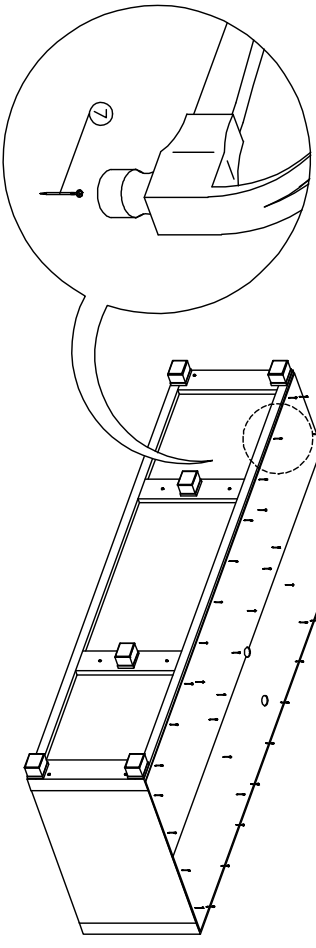
Step 11



Step 12

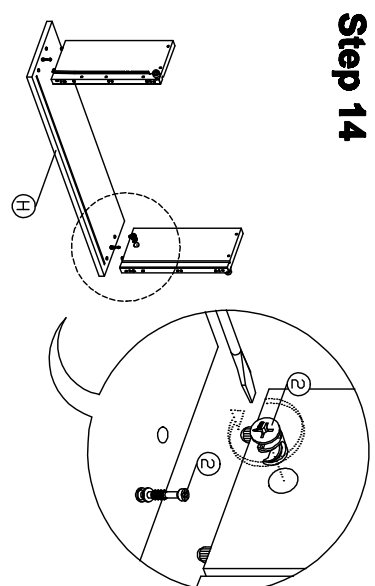


Step 13

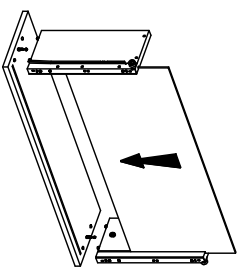


***Back View**

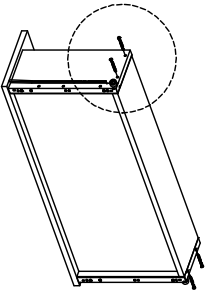
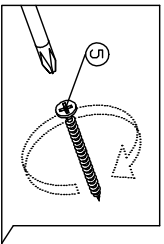
Step 14



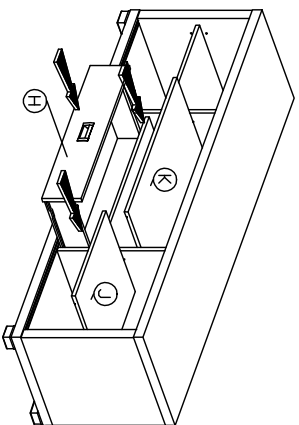
Step 15



Step 16



Step 17



Step 18

